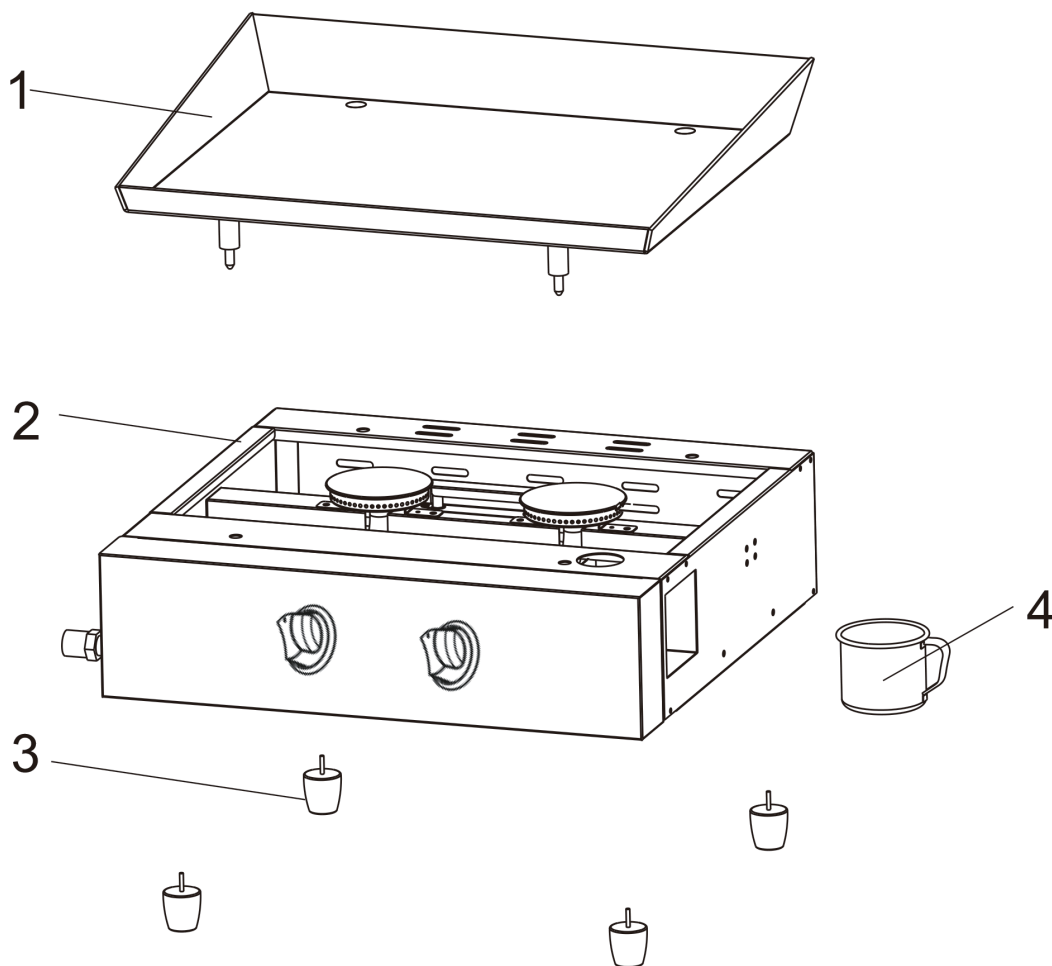


GRILLGURU

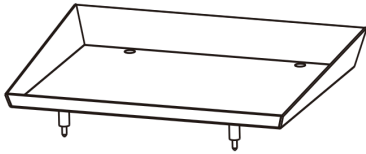
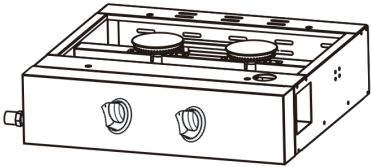


INSTRUCTION MANUAL HANDLEIDING MODE D'EMPLOI



for more inspiration - meer inspiratie - plus d'inspiration

GRILLGURU.COM



1	 A rectangular tray with a slightly raised rim and two small legs at the bottom.	x1
2	 A rectangular grill unit with two burners on top, control knobs on the front, and a power cord on the left side.	x1
3	 A small, simple cup with a handle.	x4
4	 A larger mug with a handle.	x1

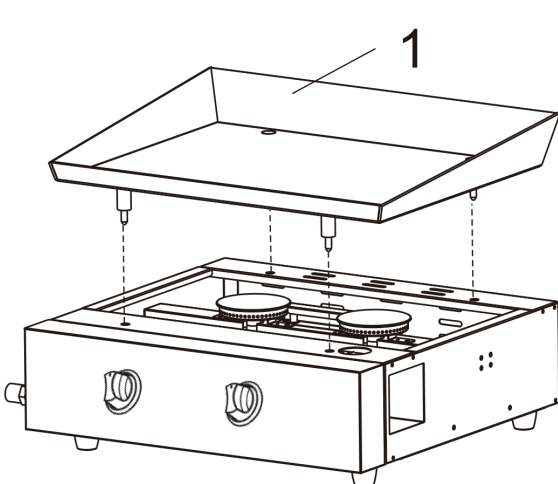
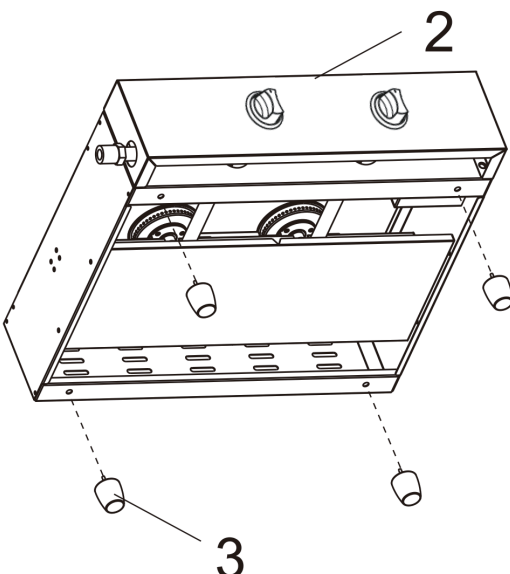
for more inspiration - meer inspiratie - plus d'inspiration

GRILLGURU.COM

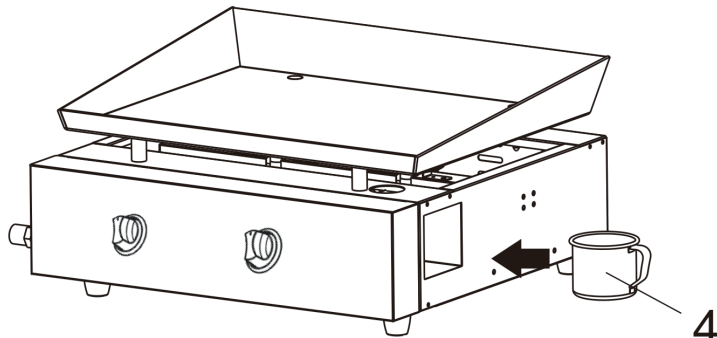


1

2



3



for more inspiration - meer inspiratie - plus d'inspiration
GRILLGURU.COM